



# ADJUSTABLE GATE FRAME ASSEMBLY INSTRUCTIONS

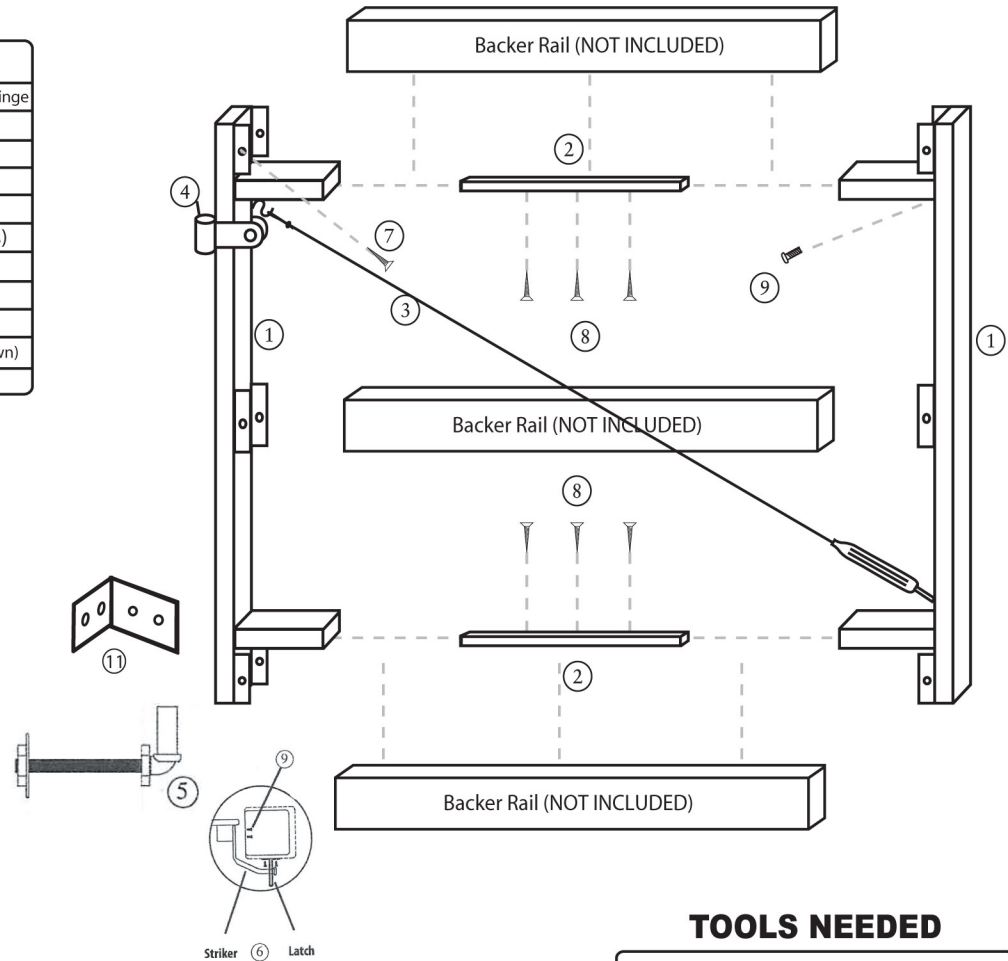
## Planning Your Gate Assembly and Installation

A drive gate will require 2 Gate Kits. When building the drive gate, drop rods, casters and handles are recommended but not included in the kits. **NOTE:** Please read through these assembly instructions completely, and review the parts list prior to installing your WoodShades Gate Frame Kit.

## PARTS LISTING

PARTS LIST Model: AG36-35

(#)	qty	Part Name
1	2	1 1/4"x1 1/4"x58" Vertical Members Latch & Hinge
2	2	1"x1"x 37 1/2" Inside Slip Members
3	1	Truss Cable Kit
4	2	Gate Frame Hinges
5	2	Post Hinges w/jamb nuts
6	1	Gate Latch Kit (striker, latch, screws)
7	12	1" Wood Screws
8	6	2" Wood Screws
9	2	Tek Screws
10	4	2"x1/4" Self Drilling Screws (not shown)
11	1	Post /Backer L Bracket



## TOOLS NEEDED

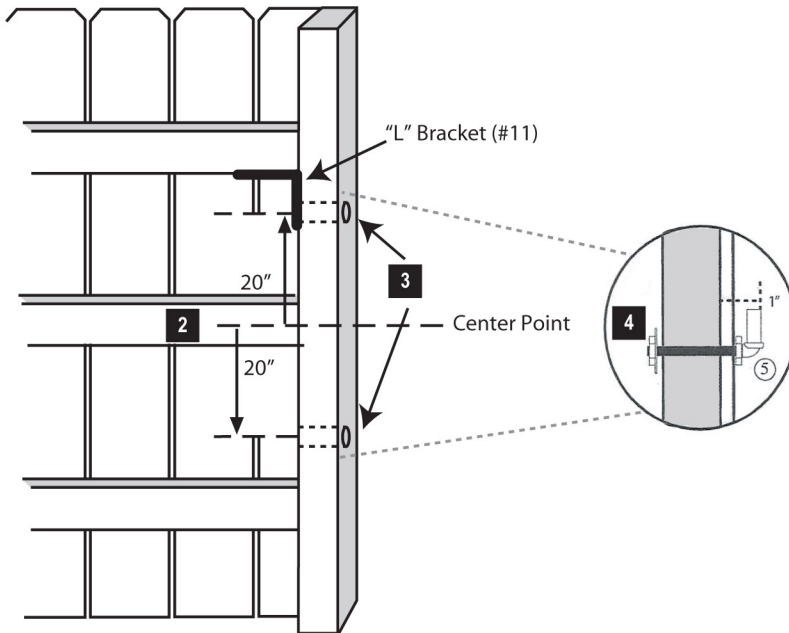
- 15/16" Wrench or Adjustable End Wrench
- Phillips Screw Driver
- Wire Cutters
- Drill Motor
- 5/8" Spade Drill Kit
- Hammer

## STEP 1: INSTALLING POSTS

Securely set your Hinge Post and Latch Post into cement for your single or double gate location. Attach "L" bracket (#11) under top backer rail and attach to hinge post.



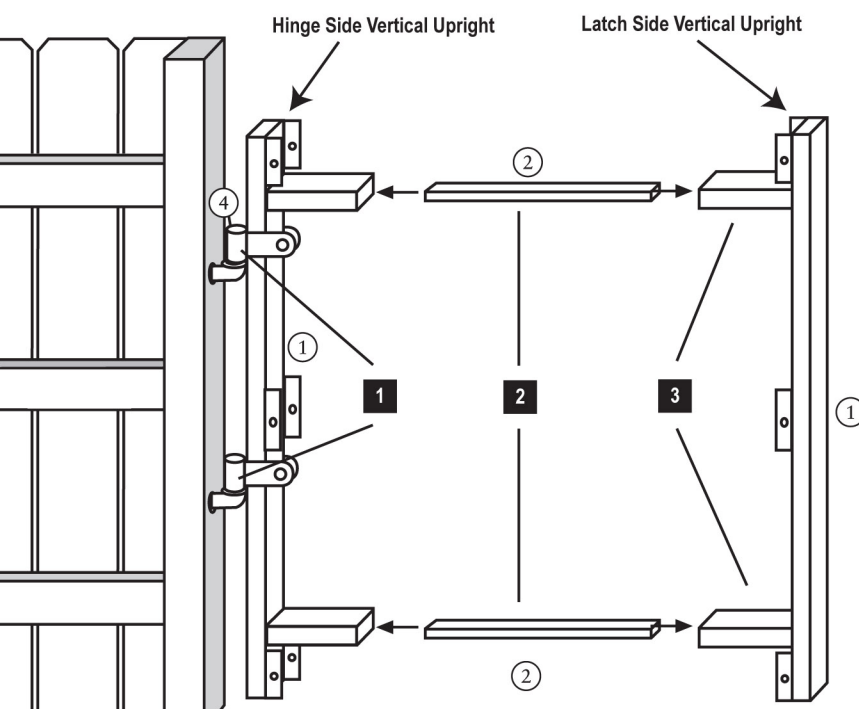
## STEP 2: INSTALLING POST HINGES



The WoodShades gate is made to swing in.

- 1 Locate the centerpoint between your top and bottom rails
- 2 Measure above and below the centerpoint 20" along the center of the post
- 3 Using a 5/8" spade bit, drill a hole for the hinges, at the marks you just made
- 4 Insert the lag bolt as shown, using a wrench, tighten the nuts until the outside of the pin is 1" from the post. That will set the proper clearance for the gate to swing.

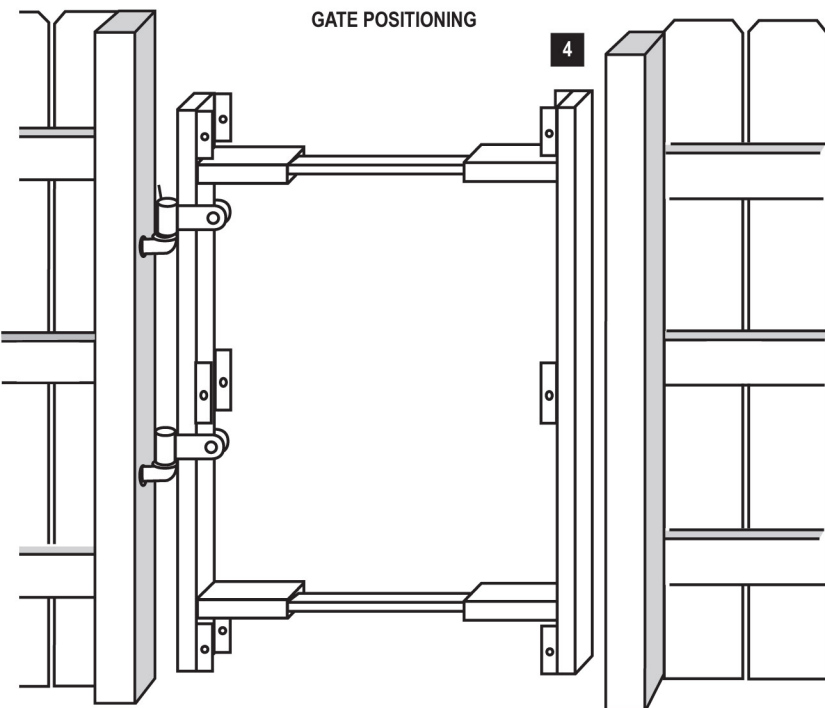
## STEP 3: ASSEMBLE & POSITION GATE FRAME



The WoodShades gate can be used for 5' & 6' high fences and will adjust to virtually any opening from 36" to 72"

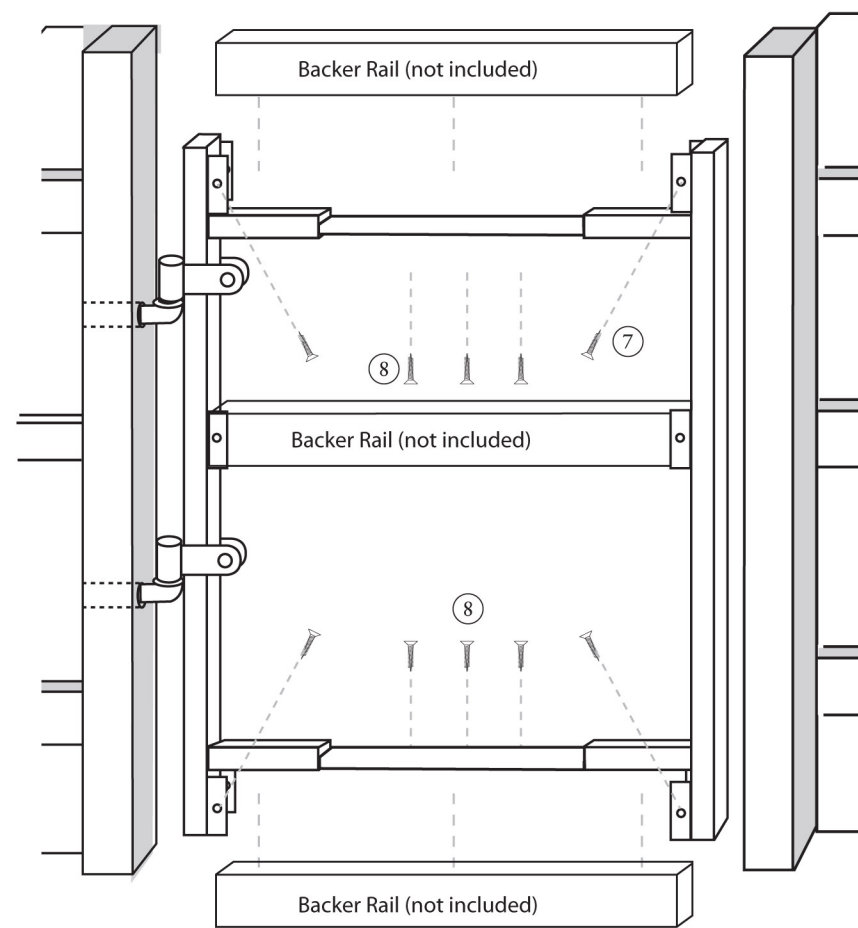
- 1 Hang the Hinge Side Vertical Upright onto the post using the Frame Hinges (#4) provided
- 2 Insert the 2, 1" Inside Slip Members (#2) onto the Slip Members on the frame, ensuring the holes in the slip member are facing up.
- 3 Slide the Latch Side Vertical Upright onto the Inside Slip Member (#2)

## STEP 3: CONT'



- 4 Swing the gate frame into position, and adjust the width of the frame to within 1" of the latch post.

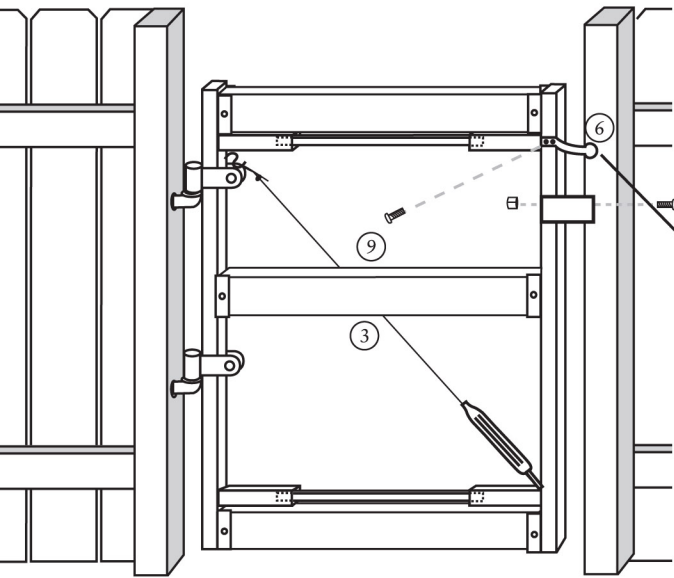
## STEP 4: BACKER RAIL INSTALLATION



- 1 Measure, cut and install backer rails (not included) with screws (#7&8) provided, as shown. Depending on the width of your gate you may not need to use all of the long screws (#8) to attach the backer rails.

**NOTE:** If using a pre-assembled WoodShades panel it is best to unassemble all boards and backer rails prior to beginning this step.

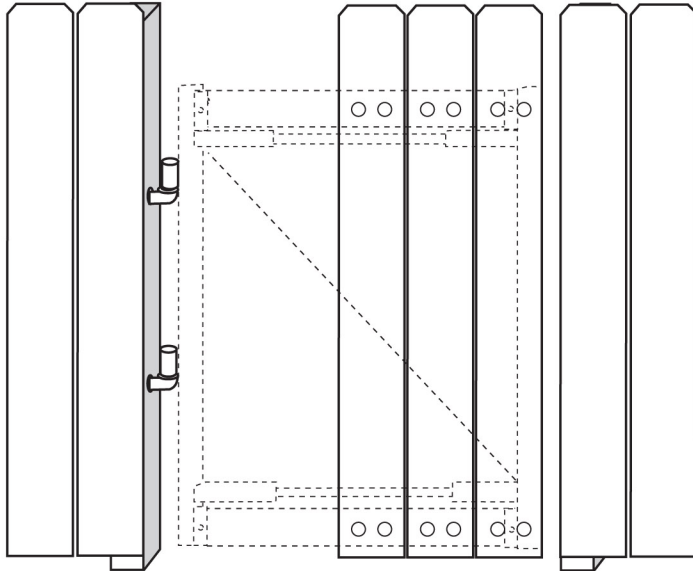
## STEP 5: STRIKER, LATCH & WIRE TRUSS CABLE



- 1 On single and double drive gates, install the "S" hooks for the Truss Cable kit into the hole at the top of the gate frame, on the hinge side. Install the Truss Cable Kit (#3) by hooking the Turnbuckle into the hole located at the bottom of the gate frame on the latch side. Use the clamp provided to secure the cable, cut off excess. Adjust Turnbuckle to mild tension.
- 2 Install Striker (#6) to gateframe.

Striker (6) Latch (9)

## STEP 6: INSTALLING FENCE BOARDS & ADJUSTING GATE



- 1 Now you can install the fence boards to your specifications using nails or screws. If you have trouble stabilizing your boards at the outside edges of the gate, you can use the 4 self-tapping screws (#10) provided, and attach the boards directly to the steel gate frame.
- 2 By adjusting the turnbuckle on the truss cable you can fine tune the latch bar to give a perfect fit.

**NOTE:** Its is recommended that your gate boards be cut 2" shorter than fence boards to allow the top of your gate to be even with fence and allow clearance under the gate.

**CONGRATULATIONS!** You now have a beautiful gate that matches your fence and looks like a custom job. Now you can look forward to years of trouble free service.